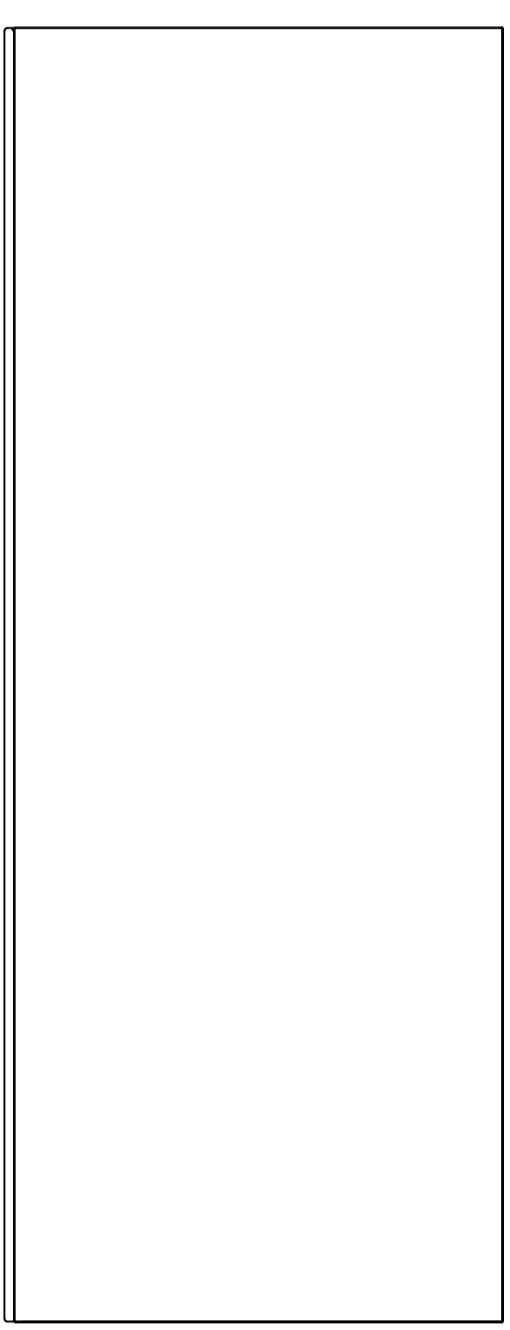
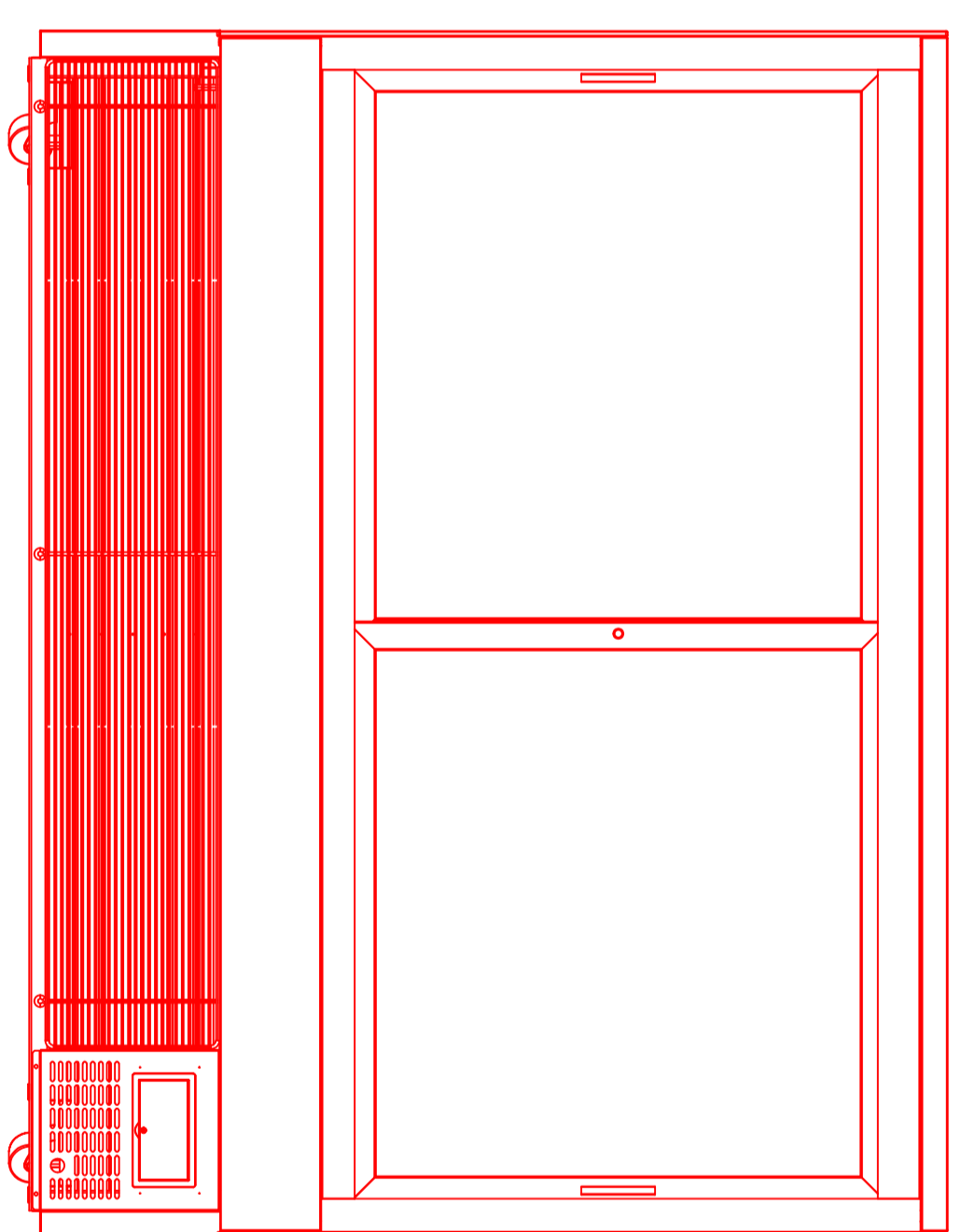
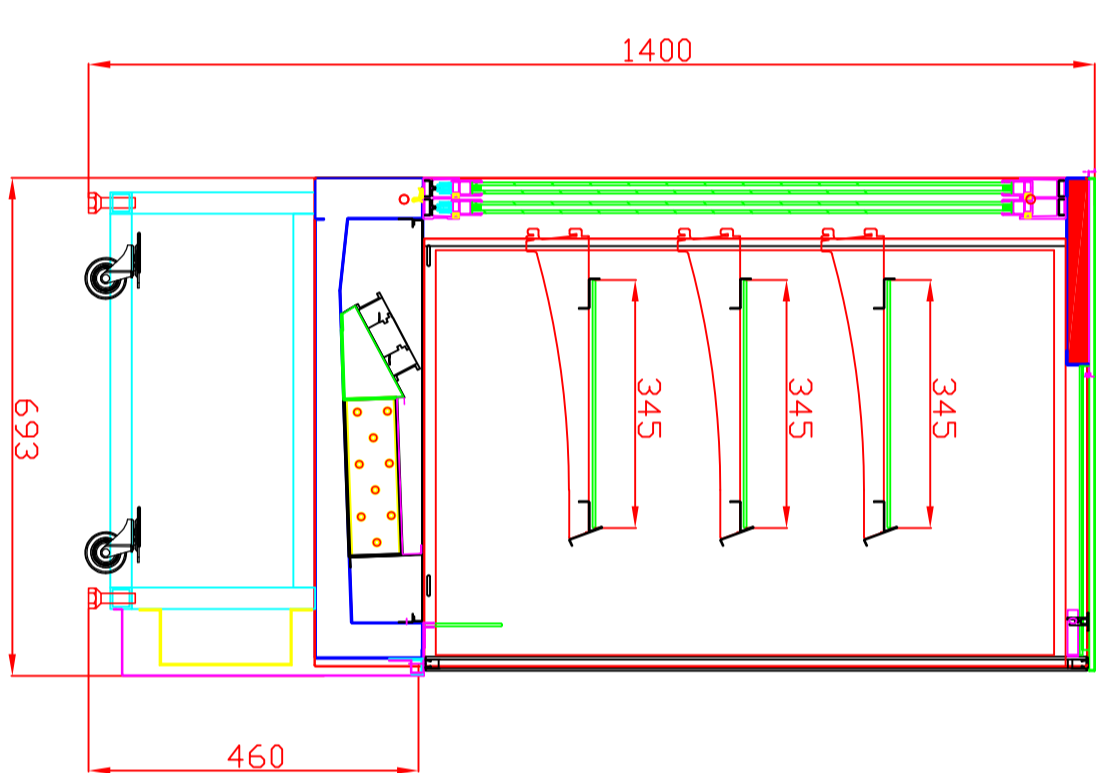
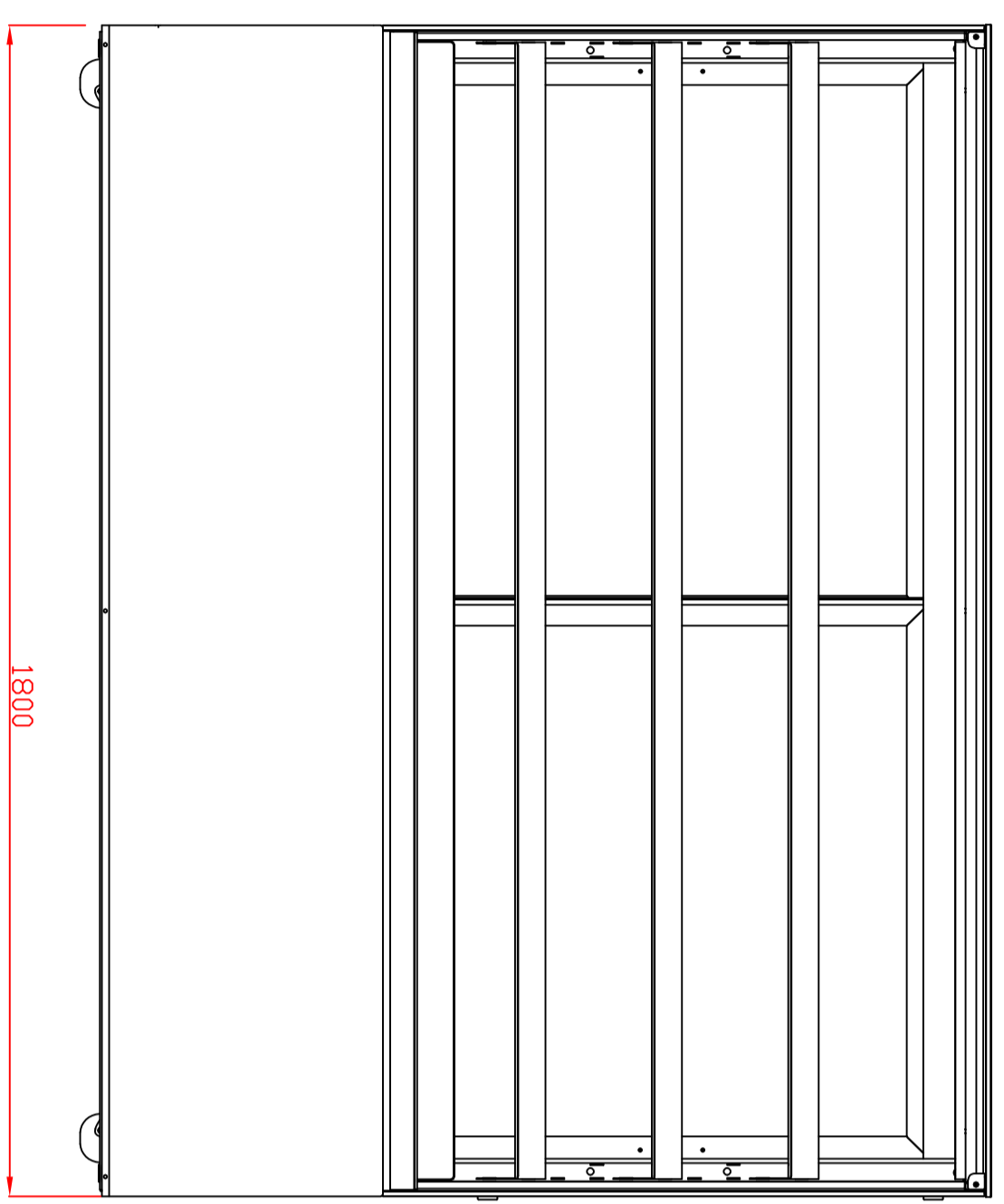
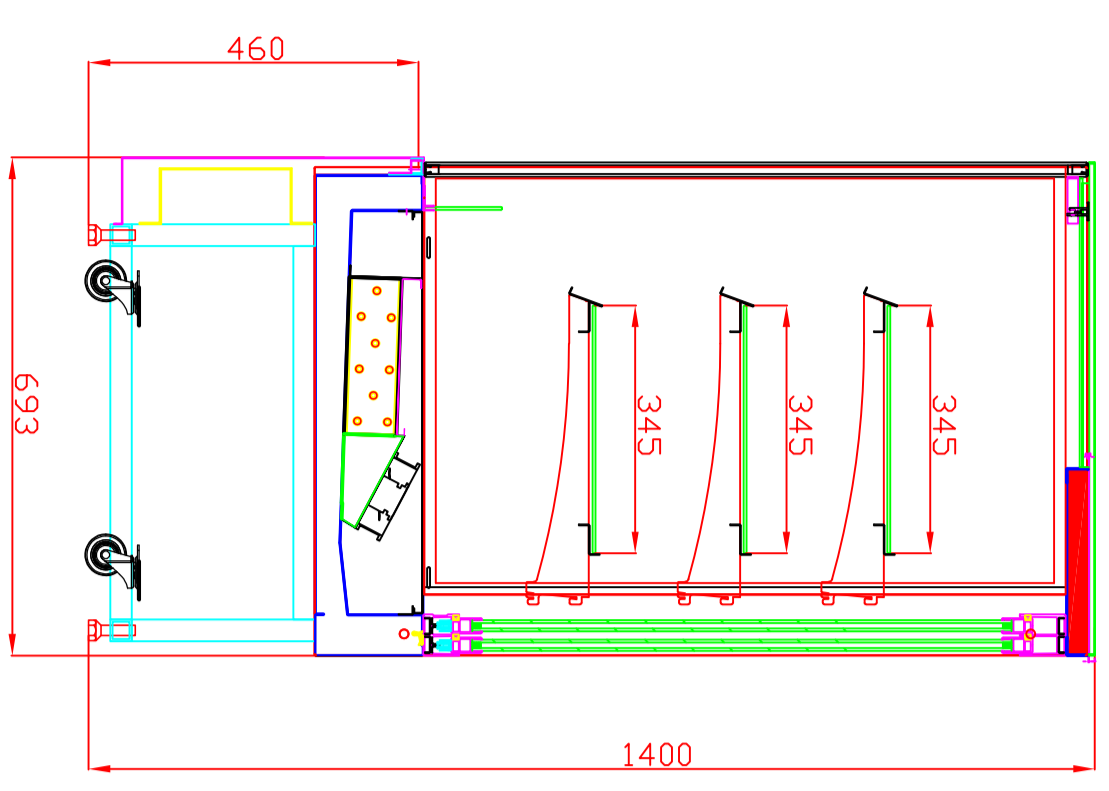


5-11 Garfield Street
 Richmond Vic 3121
 Phone: 03 9416 4667
 Email: sales@ageequipment.com.au
 Website: www.ageequipment.com.au



CABINET DIMENSIONS:

	EXTERNAL	INTERNAL
Width (mm)	1800	1750
Depth (mm)	680	560
Height (mm)	1400	895
Floor Area(m ²)	1.224	

ELECTRICAL REQUIREMENTS:

Electrical Power (W)	750
Electrical Voltage (V)	220-240
Electrical Ampere (A)	5.3
Electrical Frequency (Hz)	50

VENTILATION REQUIREMENTS
 The distance between the back to the wall should be 20cm

DIMENSION TOLERANCES:
 Allowances for cabinets are to be between -10mm to +10mm unless noted otherwise

MODEL:
FDF1800L3

DESCRIPTION:
 Bakery Showcase